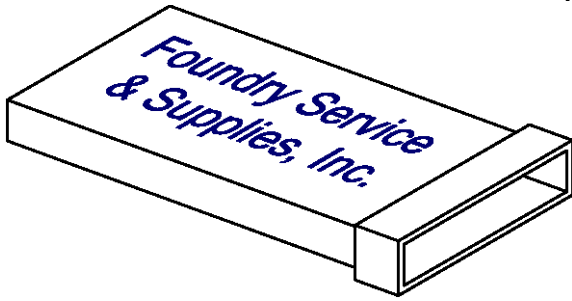


Foundry Service & Supplies, Inc.

2029 South Parco Ave., Ontario, CA 91761

Ph: (909) 284-5000

Fax: (909) 284-5001



UNDER SIDEWALK Rectangular Drain Pipe Specification Sheet

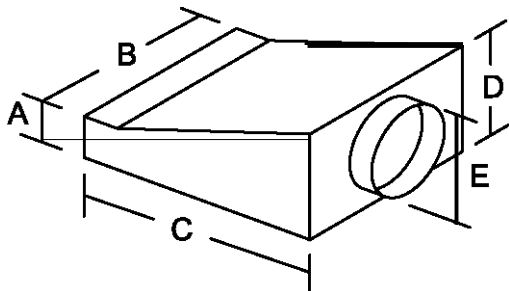
Available in 4', 5', and 6' Lengths

Prices effective 04/22/15

Size	Round Pipe Equivalent	Outside Dimensions	Inside Dimensions	Min. Wall Thickness	Weight	Price/LF
#1	4"	5.50 x 3.75	5.00 x 3.00	1/8 in.	5#/LF	\$26.95
#2	6"	8.50 x 4.25	8.00 x 3.50	3/16 in.	7#/LF	\$30.10
#2A	6"	12.13 x 3.75	11.38 x 3.00	3/8 in.	12#/LF	\$38.60
#3	8"	15.88 x 4.50	15.13 x 3.50	3/8 in.	17#/LF	\$45.40
#3A	8"	21.50 x 4.00	20.50 x 3.00	1/2 in.	22#/LF	\$56.25
#4	10"	23.75 x 4.50	22.75 x 3.50	1/2 in.	25#/LF	\$62.80
#5	12"	33.00 x 4.50	32.00 x 3.50	1/2 in.	33#/LF	\$80.80

TYPE L ADAPTORS

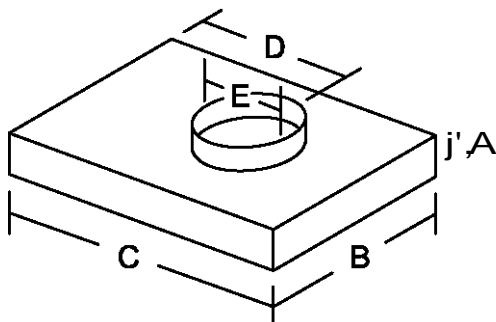
Horizontal Round to Rectangular Pipe Adaptor



Size	A	B	C	D	E	Weight	Price/Ea.
#1	3.75	5.50	8.00	4.75	4.00	5 #	\$114.68
#2	4.25	8.50	12.00	6.75	6.00	10.5 #	\$127.25
#2A	3.75	12.13	12.00	6.63	6.00	16 #	\$134.05
#3	4.50	15.88	16.50	9.50	8.00	31 #	\$144.55
#3A	4.00	21.50	16.50	9.50	8.00	50 #	\$157.60
#4	4.50	23.75	20.00	11.50	10.00	67 #	\$178.25
#5	4.50	33.00	24.00	14.00	12.00	85 #	\$234.85

TYPE T ADAPTORS

Vertical Round to Rectangular Pipe Adaptor



Size	A	B	C	D	E	Weight	Price/Ea.
#1	3.75	5.50	8.00	5.00	4.00	4 #	\$103.96
#2	4.25	8.50	10.00	6.00	6.00	8.5 #	\$116.30
#2A	3.75	12.13	10.00	6.00	6.00	19 #	\$128.50
#3	4.50	15.88	12.00	7.00	8.00	28 #	\$140.97
#3A	4.00	21.50	12.00	7.00	8.00	38 #	\$159.42
#4	4.50	23.75	14.00	8.00	10.00	49 #	\$174.27
#5	4.50	33.00	18.00	11.00	12.00	60 #	\$240.45

Custom sizes are available upon request.

City of Los Angeles, Department of Public Works Approved.